

KIMBERLEY

Kimberley Products Pty Ltd

Ceiling Mounted Folding Attic Ladders Installation Instructions

**KASW01, KASW02, KASW03, KASW04,
KASW20WDS, KASW21WDS**

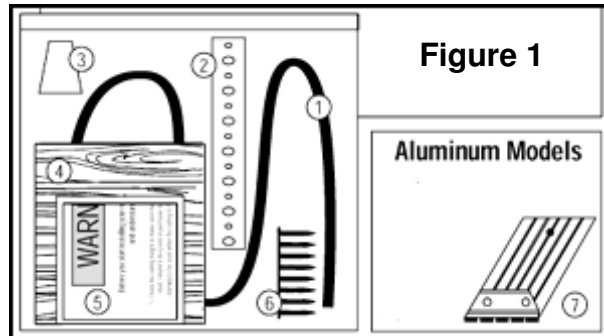
WARNING

**Before you start installing your new
Kimberley Ceiling Mounted Folding Attic Ladder,
you must read and understand the following:**

1. **Installation requires two people.**
2. **Do NOT open folding attic ladder until it is securely installed in the ceiling.**
3. **Check the ceiling height to make sure the ladder length is correct.** If the ladder is too short, return it to the point of purchase for an exchange. Under no circumstance is any folding attic ladder to be used when the ceiling-to-floor measurement exceeds the maximum ceiling height as indicated for the Ceiling Mounted Folding Attic Ladder you are installing (See "Maximum Ceiling Height" column in Table 2 below)
4. This folding attic ladder is completely assembled and is ready for installation. Do not disassemble it to install.
5. The springs on this folding attic ladder are under tension. Use extreme caution when adjusting, checking, or using this folding attic ladder. Never try to adjust or remove the spring when the folding attic ladder is in the open position.
6. Prior to installation, check all nuts, bolts, and screws for proper tightness. Re-check these periodically after initial installation.
7. Make sure there is no wiring or piping that the saw or drill can come in contact with during installation.
8. Opening or standing on the folding attic ladder's climbing sections prior to properly fastening to ceiling joists could cause serious bodily injury.
9. If the home has roof trusses, do not cut the ceiling joists without consulting an engineer for approval.
10. Before installation, read all the instruction labels on the folding attic ladder.
11. Improper installation of this folding attic ladder could put undue stress on its components and could result in failure and serious bodily injury.
12. Follow the "Trimming Folding Attic Ladder to Length" instructions on the Critical Step Detail Page.
13. Please close ladder gently upon each use, to ensure your ladder remains in best working order.

Included with your Folding Attic Ladder

No.	Item	Qty
1	Pull Cord - 910mm	1
2	Support Straps	4
3	Pendant with Washer	1
4	Shim 100mm x 15mm	1
5	Installation Instructions	1
6	Screws - 50mm	8
7	**Aluminium Feet	2
** Aluminium Models		



FOR RESIDENTIAL USE ONLY

READ INSTRUCTIONS AND WARNINGS COMPLETELY BEFORE STARTING

IMPORTANT: Do not open folding attic ladder until instructed to in step number 3.

PEOPLE TOOLS & MATERIAL NEEDED:

- Two (2) people are required
- Stepladder
- Hammer
- Adjustable Wrench
- Tape Measure
- Hand Saw
- Hack Saw (For aluminium models)
- Drill (For aluminium models)
- Screws (12 x 50mm)
- Clouts (12 x 22mm)
- Braces (same length and width of joists)

FOLDING ATTIC LADDER LOCATION:

Allow ample room for the landing space of the folding attic ladder when it is opened (see Figure 2 and Table 2).

Locate the folding attic ladder rough opening so that when you enter the storage area, you will have adequate head clearance.

Figure 2

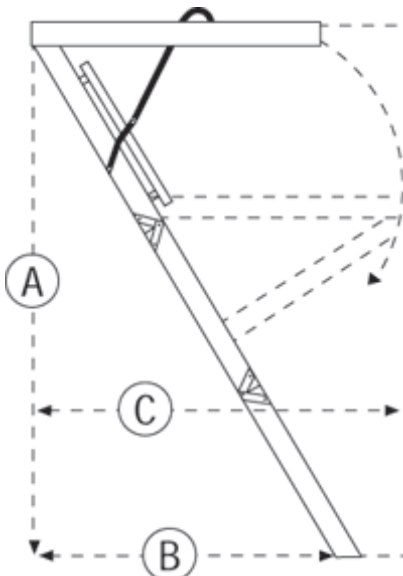


Table 2

Model	Rough Opening	Max Ceiling Height "A"	Landing Space "B"	Swing Clearance "C"
KASW01 KASW03	570mm x 1370mm	2665mm	1700mm	1800mm
KASW02 KASW04	570mm x 1370mm	3048mm	1850mm	2000mm
KASW20W	762mm x 1524mm	2665mm	1700mm	1800mm
KASW21W	762mm x 1524mm	3048mm	1850mm	2000mm

INSTALLATION INSTRUCTIONS

1. Make a rough opening in the ceiling, and frame to size as shown in Table 2.
 - If the folding attic ladder is wider than the spacing between the ceiling joists, you should consult a structural engineer before installing, since cutting into a ceiling joist could weaken the structural integrity of your ceiling.
2. If you are cutting the ceiling joist, brace the area below the joist to be cut with heavy Timbers to prevent this area of the ceiling from sagging (Figure 3).

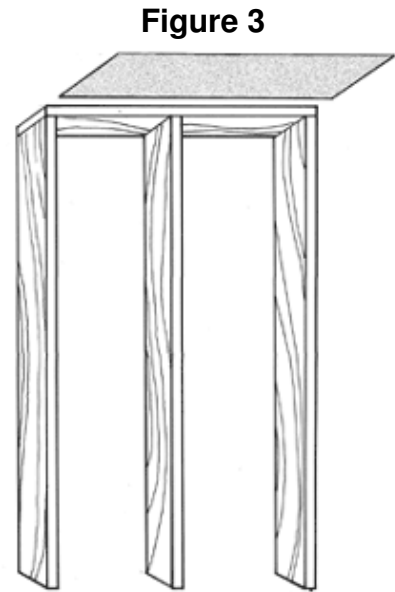


Figure 3

To maintain the structural integrity of the ceiling, the frame, two headers and a stringer (as shown in Figure 4) should be constructed of two inch lumber and nailed securely to the ceiling joists.

- Install metal E-Z Hang straps to the folding attic ladder (See Figure 5 below) prior to lifting folding attic ladder into rough opening.

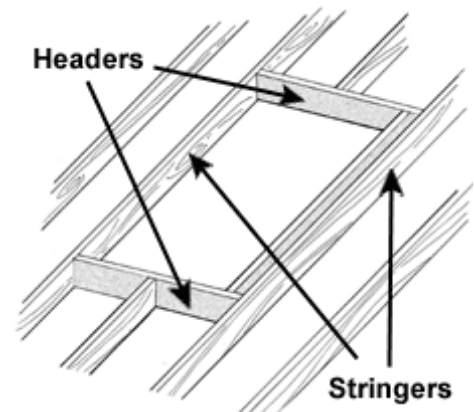


Figure 4

TEMPORARY SUPPORT STRAP INSTALLATION

Provided are four E-Z Hang temporary support straps for installing this folding attic ladder. Follow instructions below to install straps.

Figure 5



- A. Open the folding attic ladder box and remove the folding attic ladder.
- B. Place the folding attic ladder on the floor with the door opening on your left-hand side.
- C. Using the nails and straps provided, attach one strap using two of the nails enclosed, on the outside of the folding attic ladder frame at the extreme left hand corner near the door stop blocks.
- D. Attach the second strap opposite the first strap on the far outside frame.
- E. The third and fourth straps should be positioned on the piano hinge frame end on each corner opposite the door opening.

INSTALLATION INSTRUCTIONS (cont)

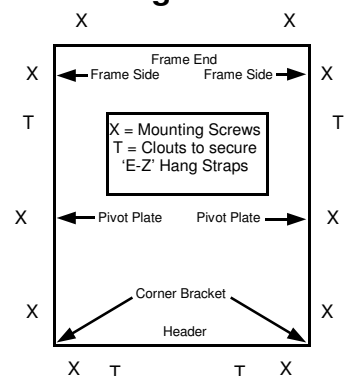
3. Position one person in the attic, and position one person in the room below (the room the attic ladder will unfold into).
 - The person in the room below will need to raise the folding attic ladder into the rough opening and position the folding attic ladder's frame flush with the ceiling surface.
 - When a stepladder is used, make sure that the user's weight and that of the folding attic ladder plus any tools does not exceed the load capacity of the stepladder (See notice labels on stepladder for safety information and load capacity).
 - The person in the attic should then bend the metal "E-Z Hang" strapping at the four corners of the folding attic ladder over the adjoining ceiling joists and nail through the metal strapping to temporarily suspend the folding attic ladder.
 - **This is only for temporary support. DO NOT STAND on the climbing sections of the folding attic ladder while installing.**
4. **Plywood shims provided with this unit are for final squaring only.**
 - If the space between the rough opening and the folding attic ladder frame exceeds a 6mm of space, a piece of plywood or some other spacing material should be placed along the full length of the unit.
 - Then use the plywood shims provided to make the final square adjustments.
 - Check to be sure that the folding attic ladder door is flush with the ceiling before final screwing or nailing.
 - Be certain to install nails or screws in the holes provided in the hardware pivot plates and the corner brackets (see Figure 6).
 - Once the folding attic ladder is positioned as desired, final screwing or nailing should be done through the folding attic ladder frame (see Figure 6).
 - **Note: For fixing ladder we recommend the use of screws for ease of removal if required.**
5. Double check the instructions to make sure that the folding attic ladder is properly installed prior to use.

THE SPRINGS ARE UNDER TENSION. USE EXTREME CAUTION WHEN ADJUSTING, CHECKING, OR USING

6. Please turn to the "Trimming to Length" section to complete trimming the folding attic ladder to length.

7. To install trim molding, leave a 10mm clearance between the door panel and the trim on all sides.

Figure 6



CRITICAL STEP DETAIL

Your safety is dependent upon following these instructions

TRIMMING FOLDING ATTIC LADDER TO LENGTH.

Figure 7 shows how to trim to length as explained in the following directions:

1. Press down on the climbing section to insure that the power arms are fully extended.
2. Fold the bottom section under the middle section.
3. With a straight edge, measure distances from joint to floor, for both A & B lengths. Record the results in the space provided on Table 3.
4. Then measure this length on the rails for a cutting line. Place a support under the bottom section and trim to your measured cutting line on the ladder rails.

Additional Steps For Aluminum Models Only:

1. Press down on the climbing section to insure that the power arms are fully extended.
2. Slide aluminum foot over ladder rail. Position foot so that extended section remains straight and the foot is in full contact with the floor. Drill through hole provided on the foot. Anchor securely with 3 /4" bolts provided.

Figure 7

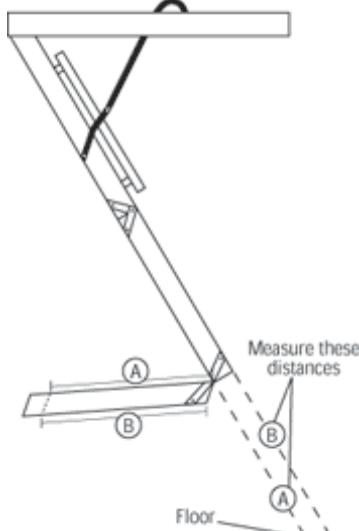
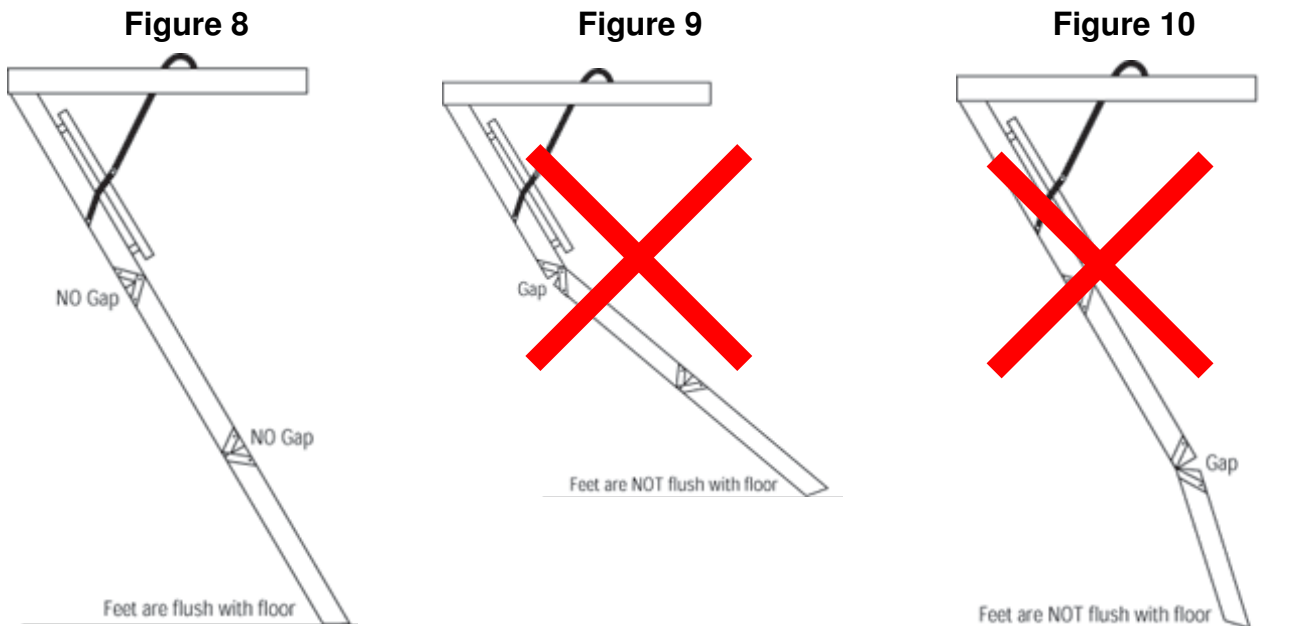


Table 3

	Left Rail	Right Rail
"A" Length		
"B" Length		

Check the length after making your cuts

1. Again, be sure the attic ladder power arms are fully extended.
2. Trimmed correctly, your attic ladder should look like Figure 8 (Next Page).
 - No gaps in the section and both feet flat on the floor should be the result.
3. If the attic ladder looks like Figure 9 (Next Page), then both of the legs are too long, and the attic ladder is not safe to use.
 - Check your measurements and trim the legs to length.
4. If the attic ladder looks like Figure 10 (Next Page), then both of the legs are too short, and the attic ladder is not safe to use.
 - Do not use the folding attic ladder.
 - Call Kimberley Products, 1-800-225-377 and ask for: Customer Service or e-mail kimprod@kimprod.com.au



ATTACHING HARDWARE

For Wood Folding Attic Ladders and Aluminum Folding Attic Ladders:

1. Knot one end of the pull cord. Slide opposite end of pull cord through bottom of pendant pulling knot snugly into neck of pendant.
2. Slide unknotted end of pull cord through hole in door from outside and then through the washer.
3. Knot end of pull cord, making sure that the knot is larger than the hole in the washer.

CONTACT DETAILS / WARRANTY

KIMBERLEY

Kimberley Products Pty Ltd
 5 Abbots Road
 Dandenong South Victoria 3175

Ph: 03 9768 5777
 Fax: 03 9768 5788

Email: kimprod@kimprod.com.au
 Website: www.kimprod.com.au

Money Back Guarantee

If you are not completely satisfied within 7 days from date of purchase, money will be refunded, providing the product is returned to our factory in its original condition and packaging.
 Note: This does not cover installation charges.

Warranty Statement

1. Kimberley Products Warrants its range of Attic ladders are free from defects in material and workmanship under normal domestic storage use for a period of one year.
2. Kimberley Products accepts no liability for defects caused by the customer installation of the goods or where the goods have been modified repaired or have been subject to abuse in any way.
3. In the event of a fault arising the faulty product must be returned to Kimberley Products with Proof of Purchase and product will be repaired or replaced at the option of Kimberley Products.
4. Kimberley Products does not cover any freight, installation or any indirect or consequential loss incurred due to faults or defects.