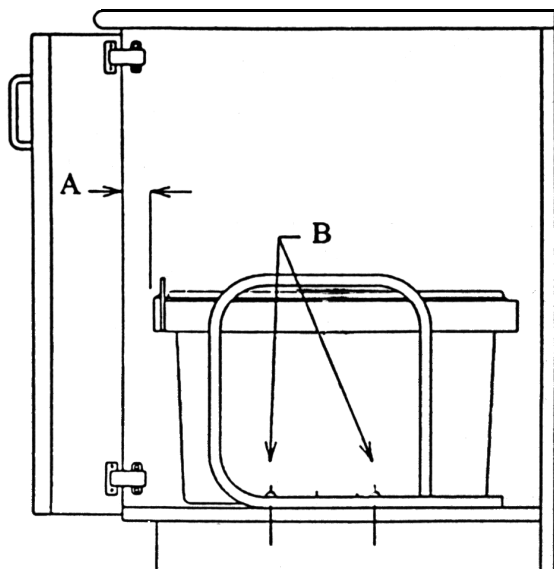


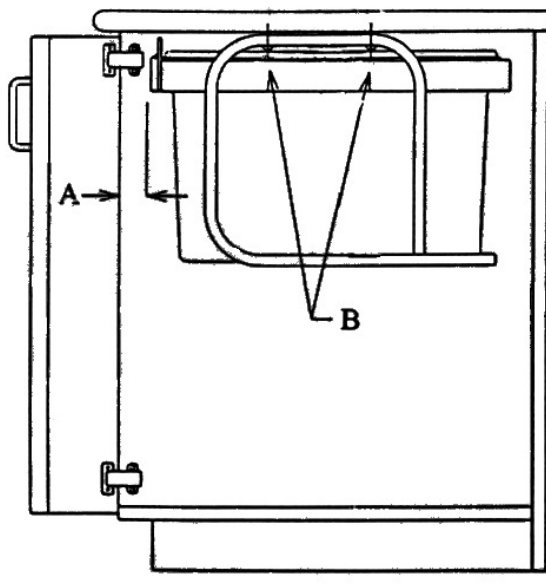
KRB14 44 LITRE SINGLE SLIDE OUT BIN INSTALLATION GUIDE

BOTTOM MOUNTED



- (A) Suggest 5mm gap between door and slider front
- (B) Use 4 wood screws through mounting holes in frame
- (C) Use 4 screws 5mm dia x 40mm long with washer and nuts
- (D) To remove top, depress on one side at a time and lift.

TOP MOUNTED



REMOVAL OF TOP COVER FOR CLEANING

