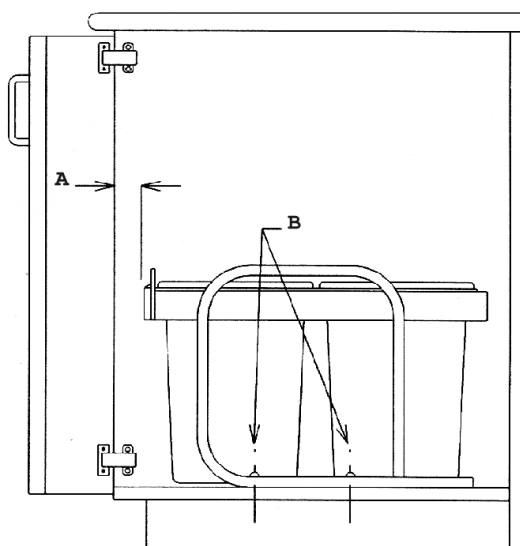
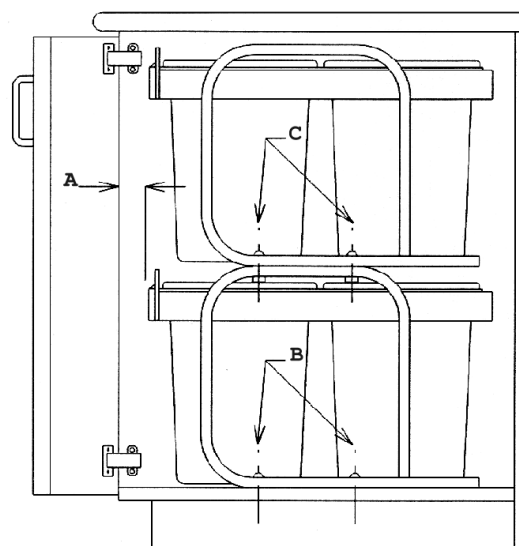


KRB06 TWIN BIN INSTALLATION GUIDE

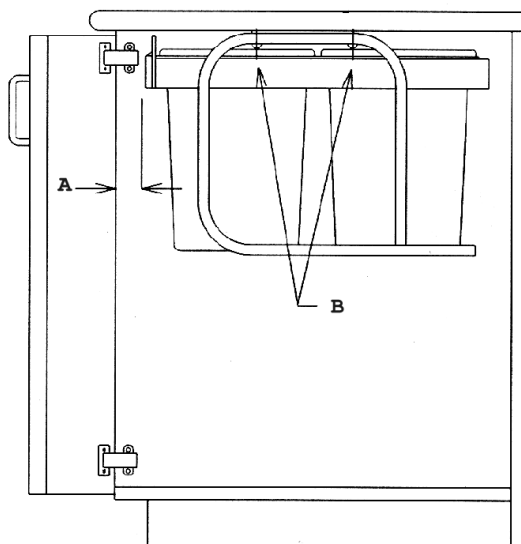
BOTTOM MOUNTED



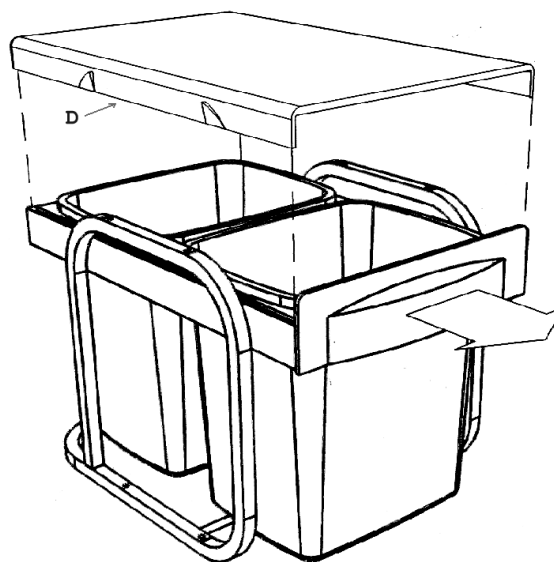
DOUBLE STACKED



TOP MOUNTED



REMOVAL OF COVER FOR CLEANING



- (A) Suggest 5mm gap between door and slider front
- (B) Use 4 wood screws through mounting holes in frame
- (C) Use 4 screws 5mm dia x 40mm long with washer and nuts
- (D) To remove top, depress on one side at a time and lift. To remove lid when double stacked, depress both sides and the same time and slide lid forward.

If required we suggest that you use "Medium Kitchen Tidy Bags" with your purchase. To insert bags correctly, lift bins and tuck excess bag down around the sides and drop bins back into base.