

KRB04 30 LITRE CONCEALED WASTE BIN INSTALLATION INSTRUCTIONS

PARTS LIST:

Your Kit Set contains the following components:

- 1 Plastic Bin—30 Litres
- 1 Shaft Assembly
- 1 Lid Assembly (including Left & Right Hand Hinge Bracket)
- 1 Pivot Pin (for lid)
- 10 Wood screws (for bracket mounting) 8 x 16mm C.S.
- 1 Elastic Retaining Band (for liner)
- 1 Assembly Instruction Booklet

SHAFT ASSEMBLY (See Sketch 1 & 2)

The complete shaft assembly comes to you fully assembled as per sketch, however it is so designed to be changed to suit Left Hand or Right Hand door openings by reversing brackets (A) & (B) respectively.

1. Place Bottom Bracket (B) on shaft to suit either L.H or R.H. Door (See Page Shaft Assembly).
2. Top Bracket (A) also must be assembled to suit L.H or R.H. door opening by turning bracket the reverse way.
3. Determine the vertical position of the bin making allowance of 120mm for clearance for the lid to open, then mark the screw holes to mount the Bottom Bracket (B) to side of cupboard, making sure the centre of the shaft is 40mm from the inside edge of the cupboard, in positions shown on Sketch 1.
4. Mark, then screw the top bracket to wall, careful to have the complete shaft assembly brackets pushed home on shaft.
5. Screw toggle bracket (C) to door, a minimum of 120mm from hinged edge of door, with slotted side facing this edge.
N.B As there are many types of door hinges on cupboards, it is suggested that the bin be placed in position and the door opened and closed to determine the best position to secure bracket (C).

LID ASSEMBLY (See Sketch 3 & 4)

1. The lid has been factory assembled for L.H. door operation, therefore for R.H. door operation, it will be necessary to change the Hinge Plate KRB04-06 with plate KRB04-07 which has been provided in the kit.
2. A pivot pin is provided to attach the lid to the shaft assembly.
3. The bin should now operate by the lid lifting automatically as the cupboard door opens and lowering automatically as the door closes.
4. The toggle assembly has an adjustable threaded shaft that may be adjusted to give the best results.
5. Fit assembled lid to bracket inside of cupboard (See Sketch 5). Using pivot pin provided, open and close door to check that the lid lifts up smoothly as door is opened. Lid lowering limit can be adjusted if required by using the screw shown in sketch 1.

BIN PLACEMENT (See Sketch 6)

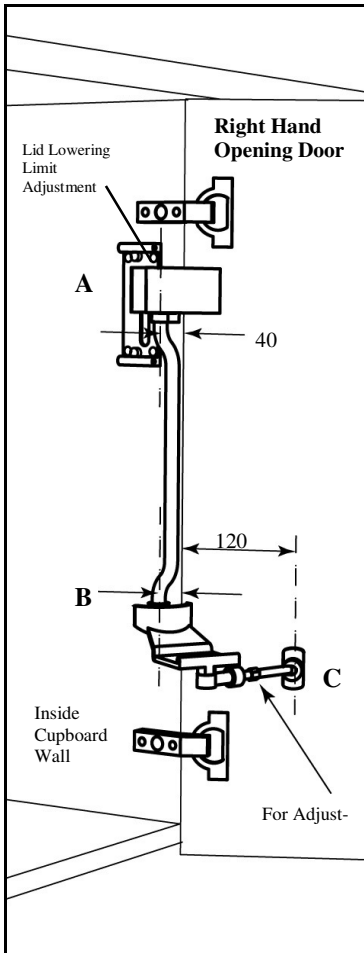
Open the door sufficiently to clip the bin onto top bin support, holding bottom of bin out, then push bottom of bin in until it snaps into the bottom holder.

A plastic liner may be used and it can be held in position with the elastic cord supplied.

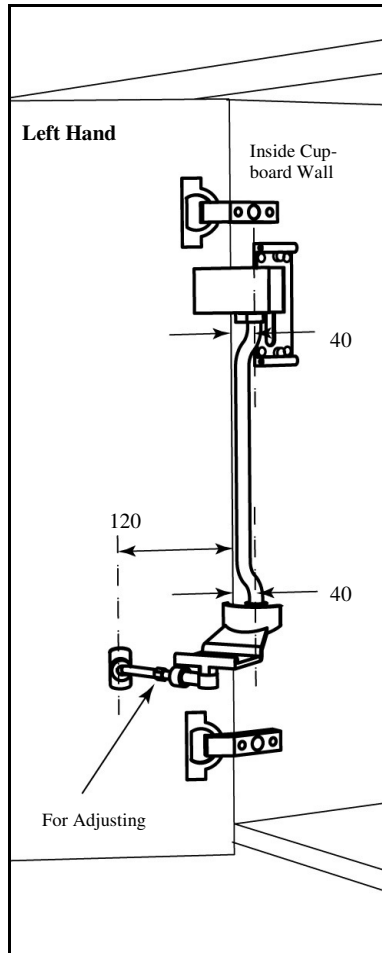
All large size plastic liners are suitable.

KRB04 30 LITRE CONCEALED WASTE BIN INSTALLATION SKETCHES

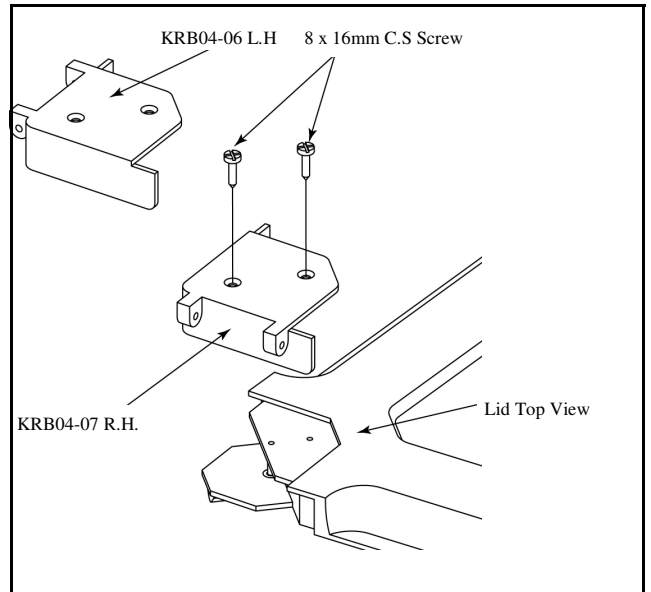
Sketch 1.



Sketch 2.



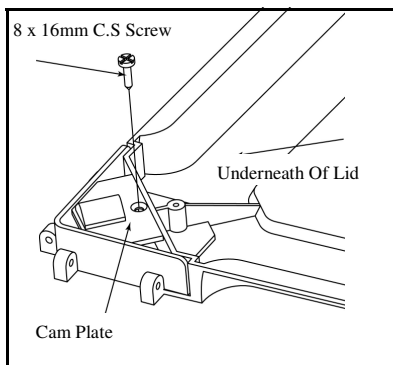
Sketch 3.



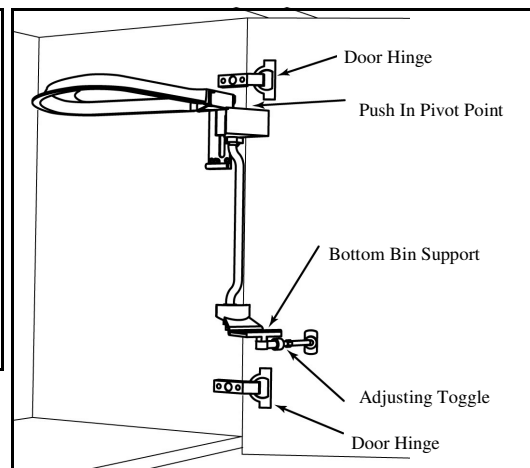
Note: (Refers to Sketches 3 & 4)

Customer to change over if necessary to suit a left hand or right hand opening (All parts included).

Sketch 4.



Sketch 5.



Sketch 6.

