

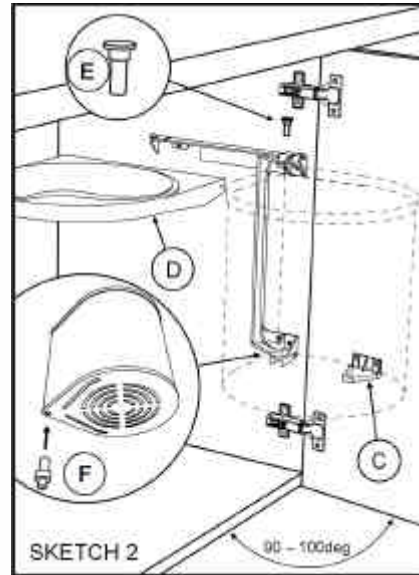
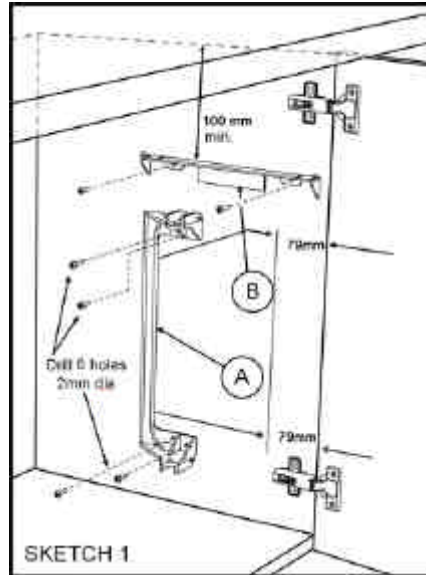
## KRB01 & KRB02 FITTING INSTRUCTIONS RH & LH MOUNTING

### PARTS LIST:

- 1 Body
- 8 Screws 8 Gauge x 1/2 panhead HW33
- 1 Lid (D)  
SKRB01-17
- 1 Instruction Sheet  
SKRB01-22

### All of the following parts attached to runner tree:

- 1 Bin Support Bracket (A)  
SKRB01-19N
- 1 Bin Puller Bracket (C)  
SKRB01-23N
- 1 Lid Support Bracket (B)  
SKRB01-18N



### 1) Attaching Bin & Lid Support

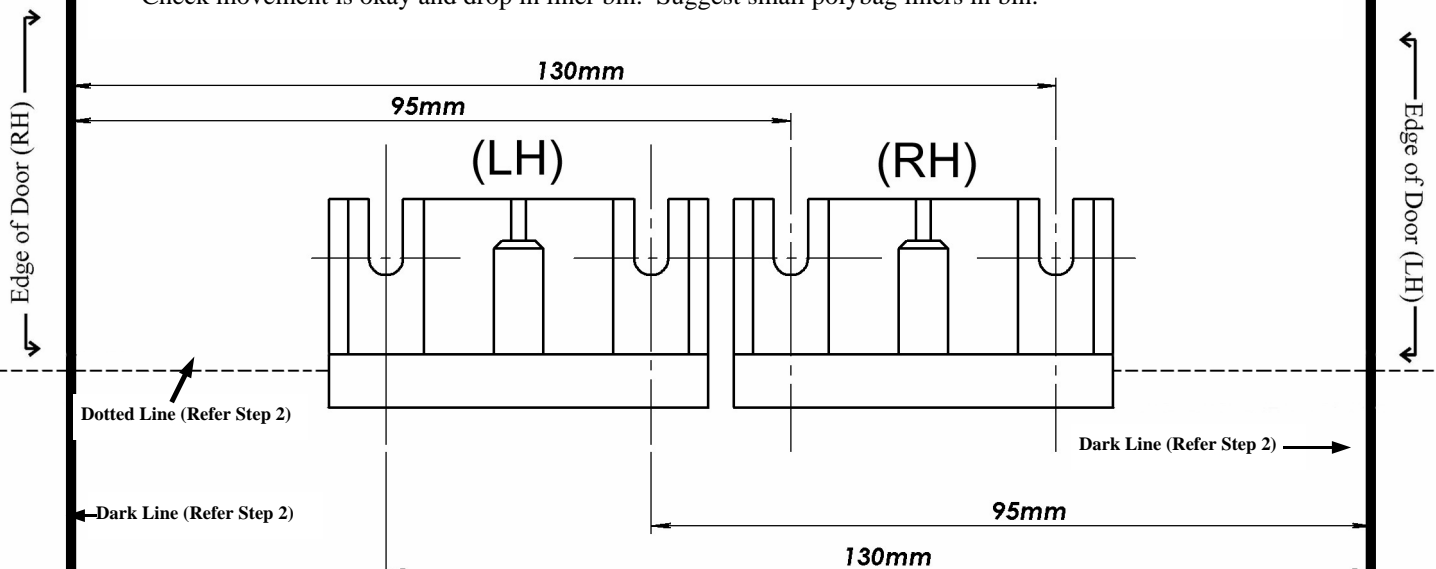
Identify all parts and separate plastic parts from runner tree. Locate bin support bracket (A) onto lid support bracket (B) as shown. Establish desired height required. (Note: Lid support bracket (B) must not be closer than 100mm from top of cupboard to allow for lid movement and bucket removal—check clearances before proceeding). Support bracket (A) must be 79mm from edge of cupboard and parallel with edge, then mark and drill six 2mm holes and secure with screws provided, as shown (Sketch 1). Bracket (A) is designed to fit between or straddle the hinges.

### 2) Attaching Bin Puller Bracket To Door

Using the template on the bottom of this page, line up the dark line with the edge of the door and then line up the dotted line with the pivot face of bottom end of bracket (A), drill two 2mm holes and secure with screws provided. (Note: If door is rebated in position of puller bracket space out to thickness of door). Care must be taken not to pierce door front.

### 3) Final Fitting & Attaching Of Lid

If you are installing model KRB01 (Stainless Steel), fit bottom pin (F) in base of bin as shown inset sketch 2. Place bin body on bottom of bracket (A) and puller bracket (C) then locate top with plastic pin (E) (to remove, reverse the same). Fit lid by springing outer lid edges over pins on lid support bracket (B) as shown (Sketch 2). Check movement is okay and drop in liner bin. Suggest small polybag liners in bin.



Template for Puller Bracket