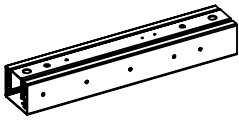
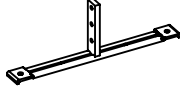
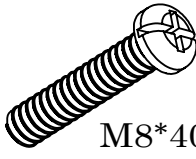
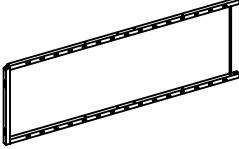
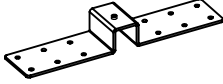
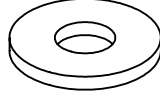
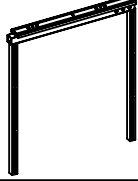
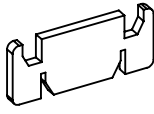
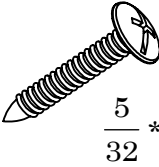
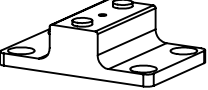
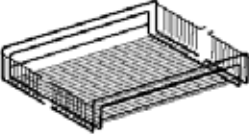


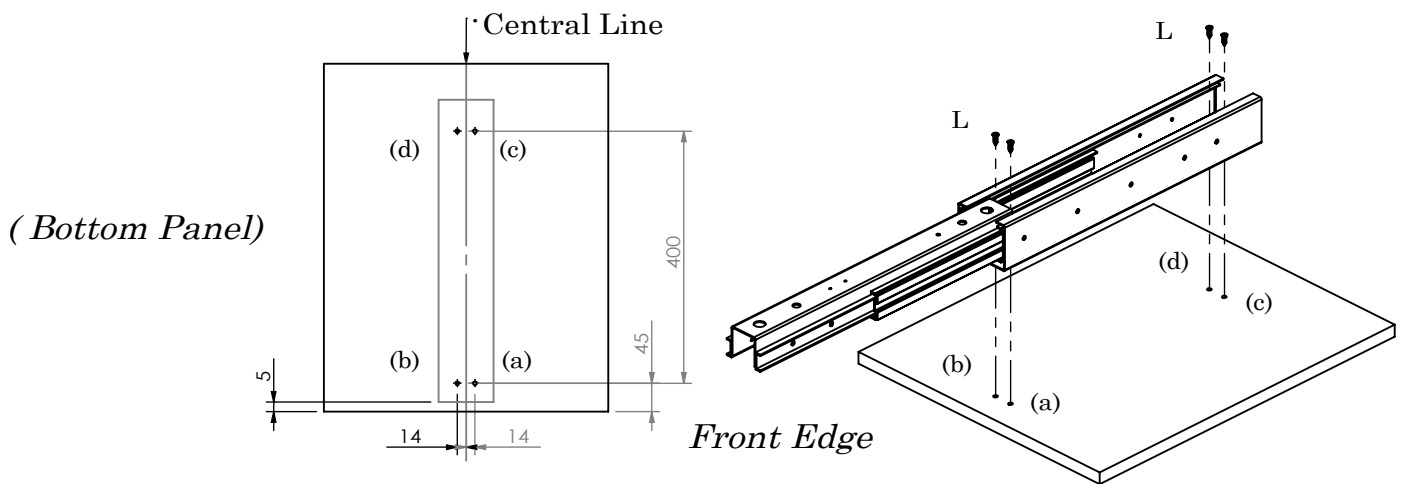


# INSTALLATION INSTRUCTIONS

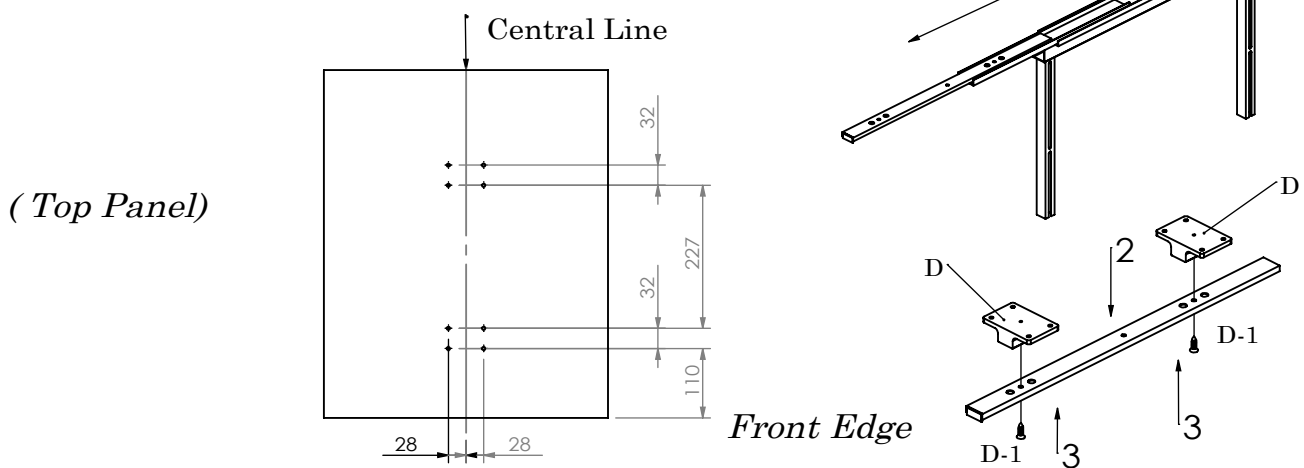
For KPC300 / KPC400 / KPC450

Name	Type	Q'ty	Name	Type	Q'ty	Name	Type	Q'ty
A		1 pcs	E		2 pcs	I	 M8*40	4 pcs
B		1 pcs	F		1 pcs	J		2 pcs
C		1 pcs	G		12 pcs	K	 $\frac{5}{32} * 1\frac{1}{2}$	4 pcs
D		2 pcs	H		5 pcs	L	 $\frac{5}{32} * \frac{5}{8}$	22 pcs
D-1	 $\frac{5}{32} * \frac{3}{4}$							

STEP 1: (1) Mark the central line on bottom panel and point out screw holes (a),(b),(c),(d) for bottom runner.  
(2) Screw bottom runner on bottom panel.



STEP 2: (1) Mark the central line on top panel and point out screw position.  
(2) Screw attached plastic parts on the top slide of frame.

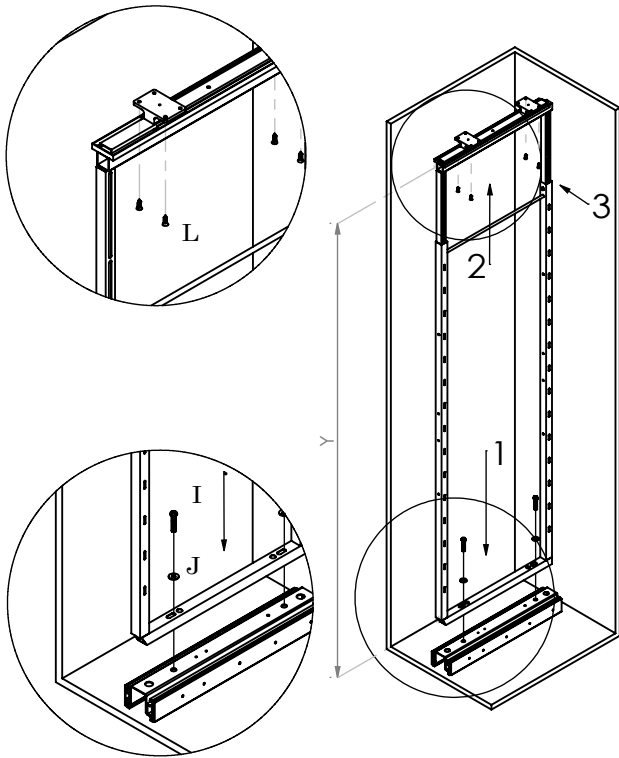


# INSTALLATION INSTRUCTIONS

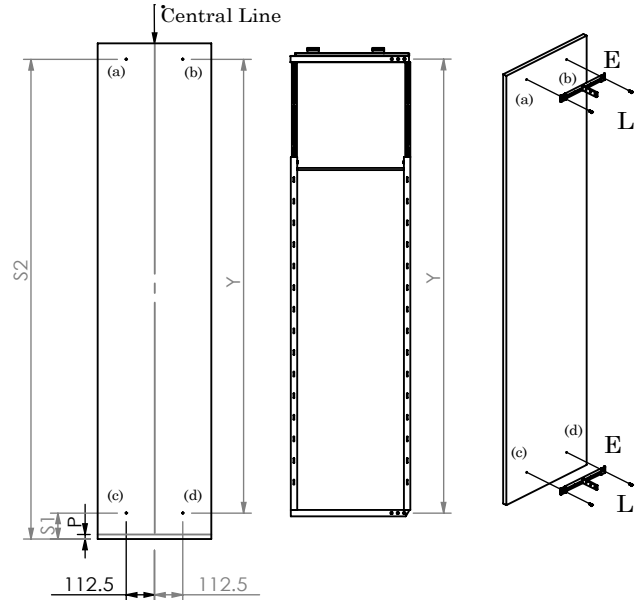
For KPC300 / KPC400 / KPC450

- STEP 3:**(1)Keep the frame in closing position,and connect frame with bottom runner by two screws.  
 (2)pull up top frame to match the screw holes on top panel.  
 (3)Fix the top frame and bottom frame.

- STEP 4:**(1)Mark the central line on door panel and point out screw holes (a),(b),(c),(d)for T-Bar.  
 (2)Screw T-Bar on door panel.  
 (3)Connect upright tube with T-Bar and door panel.



( Door Panel)



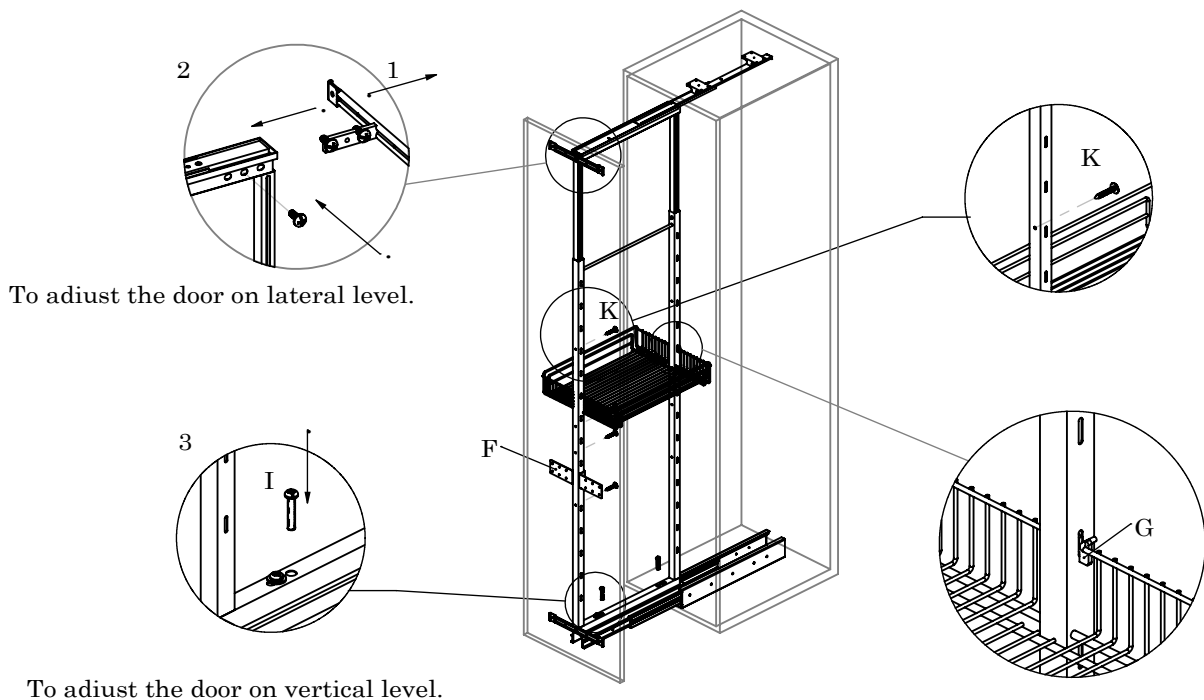
P : The thickness of carcass panel.

$S1 = P + 78\text{mm}$

$S2 = P + 78\text{mm} + Y$

Y= The distance from top screw hole center to bottom screw hole center of frame.

- STEP 5:** (1)Connect the door panel with frame by T-Bar.  
 (2)To adjust the screws on T-Bar to set up the door panel on right lateral position.  
 (3)To adjust the screws on bottom frame to set up the door panel on right vertical position.



To adjust the door on lateral level.

To adjust the door on vertical level.