

HALF LAZY SUSAN

CAT NO. KLS - 02

FITS BOTH LEFT AND RIGHT HAND DOOR OPENINGS.

FITTING INSTRUCTIONS

1. Screw base plate (F) to bottom of cupboard with screws provided (See Fig 2).
2. Slide bottom shelf onto chrome tube (B) and slide to rest against base thrust bearing (E).
3. Fit pin (D) into hole for desired height of top shelf (3 height settings) then slide on upper thrust bearing (C) with pin location facing down, locate on pin and slide on top shelf.
4. Pick up shelf assembly and fit into bottom bracket (F) make sure that the flat side of the base thrust bearing (E) lines up with flat on base plate (F). Slide top bracket (A) onto chrome tube (B), screw bracket to cupboard frame as shown on Fig. 2.
5. Screw door follower (G) to door with screws provided. Make sure door follower does not run out of stroke with door in fully open or closed position.

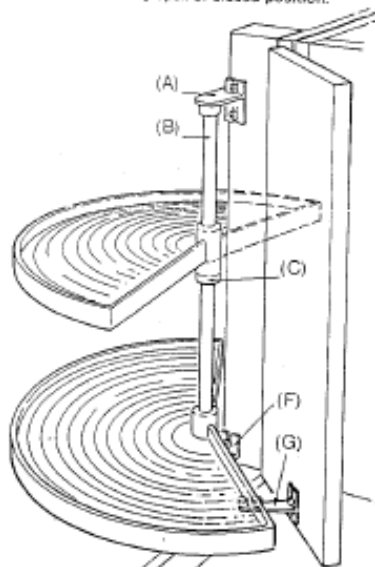


Fig. 2.

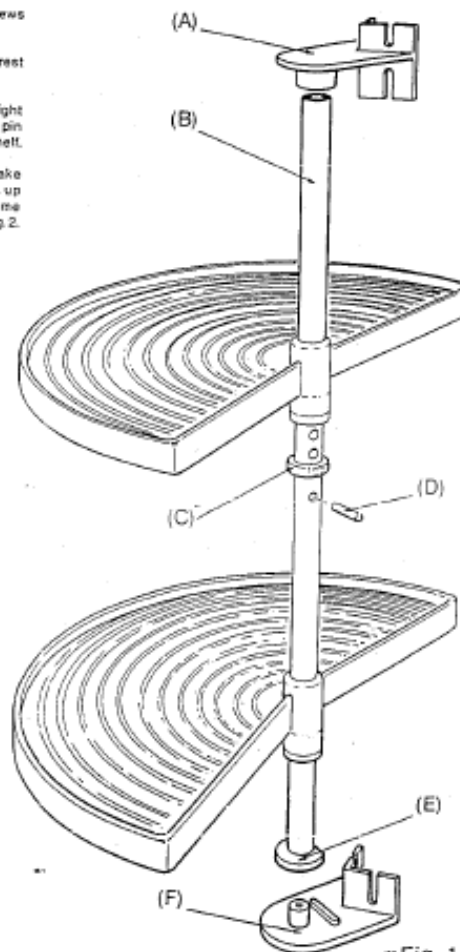
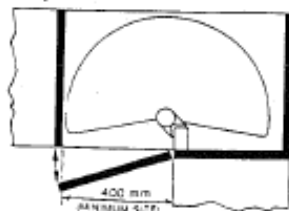


Fig. 1.

- (A) TOP BRACKET
- (B) CHROME TUBE
- (C) UPPER THRUST BEARING
- (D) PIN
- (E) BASE THRUST BEARING
- (F) BASE PLATE
- (G) DOOR FOLLOWER

KIMBERLEY PRODUCTS
 5 ABBOTTS ROAD, DANDENONG SOUTH
 VIC 3175, Ph (03) 9768 5777 Fax (03) 9768 5788