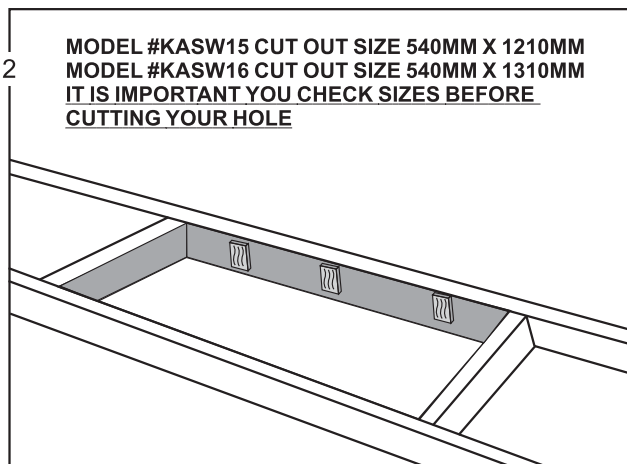
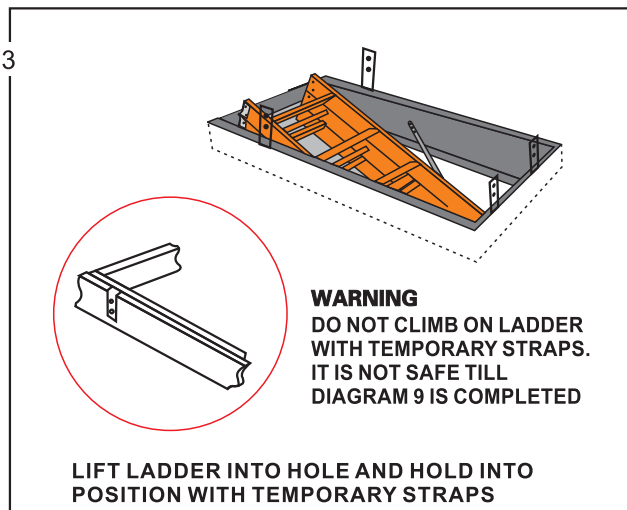


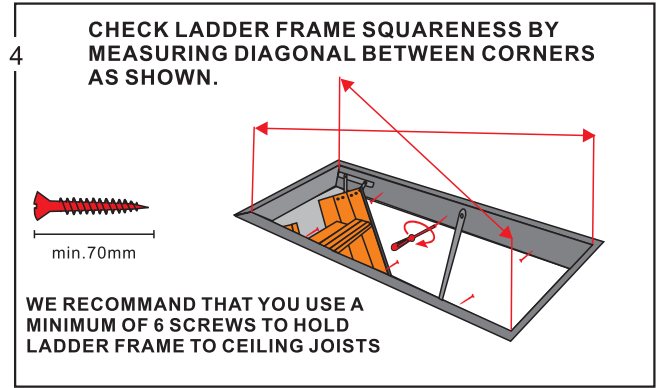
FOR PACKING PURPOSES, THE DOOR KEY BAR IS SUPPLIED IN THE UNIT SPRING. REMOVE IT AND STORE IT IN A SAFE PLACE.



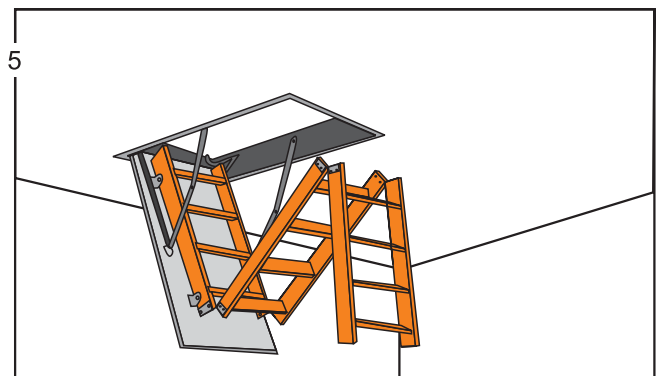
MAKE A ROUGH OPENING IN THE CEILING AS SHOWN ABOVE TO THE SIZE LISTED FOR YOUR MODEL, IF THE LADDER IS WIDER THAN THE SPACING BETWEEN THE CEILING JOISTS, YOU SHOULD CONSULT A STRUCTURAL ENGINEER FOR ADVICE



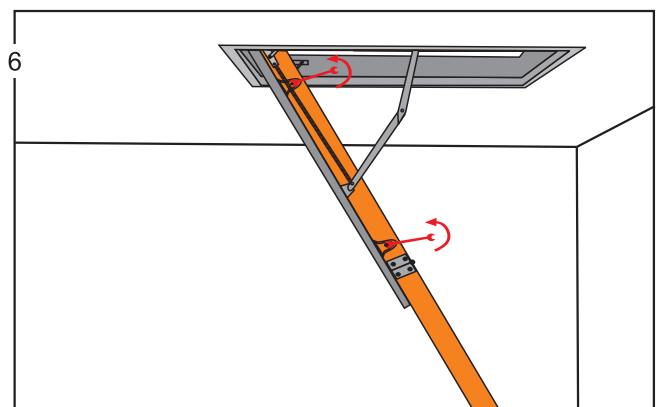
THERE ARE 4 TEMPORARY SUPPORT STRAPS SUPPLIED WITH THIS LADDER. WHEN YOU ARE SATISFIED WITH THE POSITION OF THE LADDER, BEND THE STRAPS OVER THE CEILING JOISTS AND SECURE WITH LARGE HEAD NAILS.



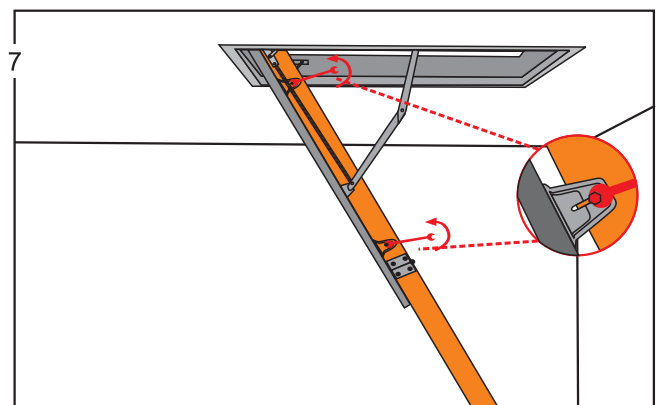
WE RECOMMEND YOU USE SCREWS TO FIX THE LADDER IN PLACE



UNFOLDING DOWN THE LADDER



PLEASE ADJUST WHEN THE LADDER IS OPEN ONLY



ADJUST OUTWARDS TO GIVE HANDS SPACE

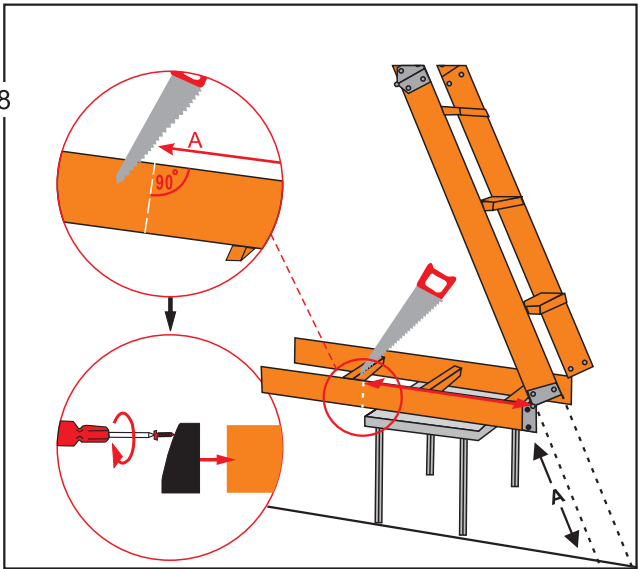
KIMBERLEY

www.kimprod.com.au

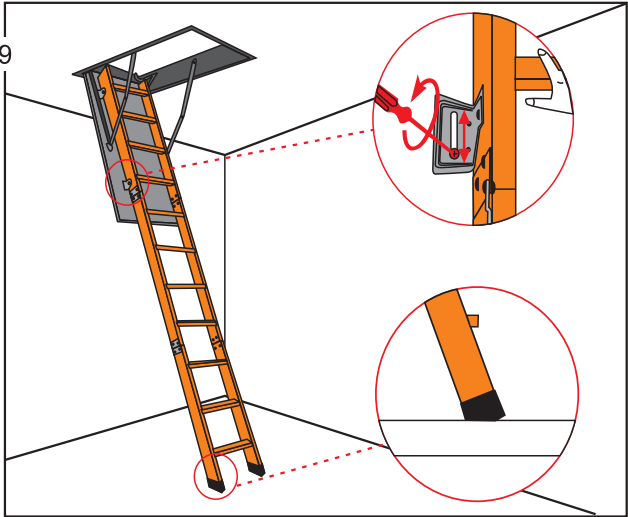
PH: 1800 225 377

Email: kimprod@kimprod.com.au

INSTALLATION INSTRUCTIONS FOR TIMBER ATTIC LADDER MODELS: KASW15 AND KASW16



CUTTING LADDER TO THE CORRECT MEASUREMENT, FROM THE HINGE LINE TO THE GROUND AND FIT PLASTIC FEET



YOU CAN ADJUST THE LADDER A LITTLE AFTER FITTING THE FEET

