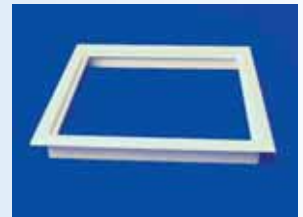
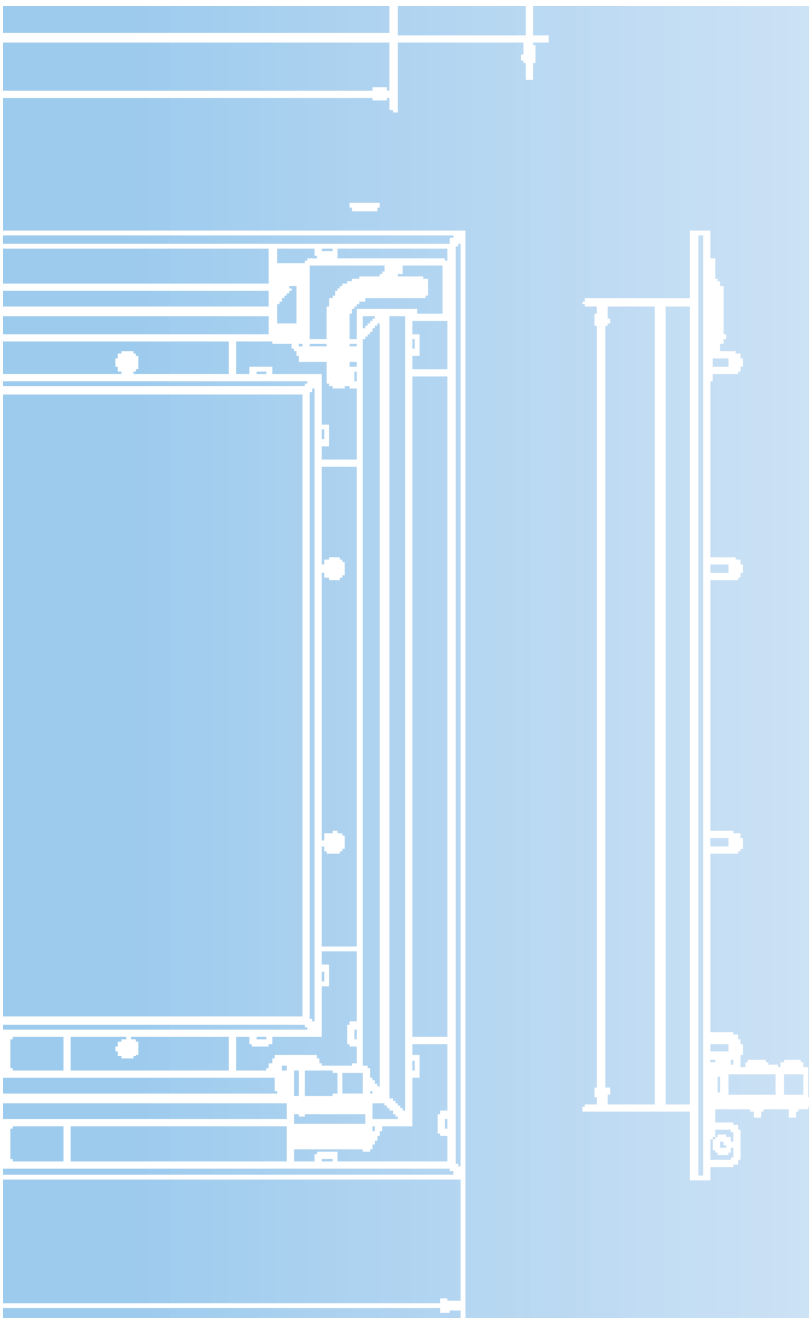


Access Product Range

KIMBERLEY



Kimberley Products Access Range.

Kimberley's would like to introduce our new expanded range of access hardware products. You may already be familiar with our very popular plastic heavy duty manhole & access panel range but did you know, Kimberley's now offer a fantastic range of metal access panels.

You'll find all the information on these new products in this brochure, however if you require any more information, please call our friendly team on 03 9768 5777. We'll be happy to provide all the specifications you need.

Contents:

Softline Metal Access Panels - Various Locks	Page 2 - 3
Kimberley Plastic Access Panels	Page 4
Kimberley Heavy Duty Manhole Frames & Various Doors	Page 4 - 6
Flush Mounted Frames & Access Panels	Page 6
Attic Ladders / Access Stairs & Accessories	Page 7
Kimberley Products Contact Details	Page 8

Softline Metal Access Panel With Snap Lock

NEW

Offers the benefit of a completely smooth door panel.

Made from galvanised sheet steel, painted in RAL9016 white. Can be repainted if required.

The spring loaded locks open when pressure is applied to the door panel, causing the door to swing open.

The latches engage and snap shut when pressure is reapplied to the door panel.

Four riveted, swivel anchors ensure safe wall or ceiling mounting.

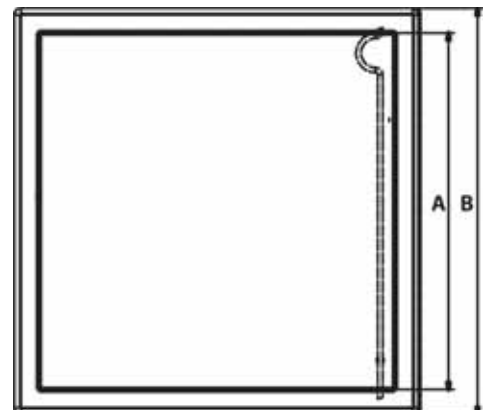
Continuous one-piece frame with softened profile.

Demountable door panel.

Sheet steel thickness:
 Panel 400x400mm and smaller=0.75mm
 Panel larger than 400x400mm=1.0mm



Product Code	Cut-Out Size mm (A)	Outer Frame Size mm (B)
K120472	200 x 200	235 x 235
K120474	200 x 300	235 x 335
K120476	300 x 300	335 x 335
K120478	400 x 400	435 x 435
K120482	500 x 500	535 x 535
K120484	600 x 600	635 x 635



Softline Metal Access Panel With Square Lock

NEW

Made from galvanised sheet steel, painted in RAL9016 white. Can be repainted if required.

Four riveted, swivel anchors ensure safe wall or ceiling mounting.

Continuous one-piece frame with softened profile.

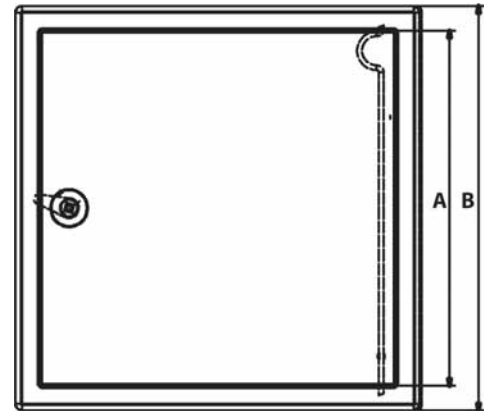
Demountable door panel.

Key lockable - standard square key available.

Sheet steel thickness:
Panel 400x400mm and smaller=0.75mm
Panel larger than 400x400mm=1.0mm



Product Code	Cut-Out Size mm (A)	Outer Frame Size mm (B)
K120520	150 x 150	185 x 185
K120522	200 x 200	235 x 235
K120524	200 x 300	235 x 335
K120525	250 x 250	285 x 285
K120527	300 x 300	335 x 335
K120528	400 x 400	435 x 435
K120530	500 x 500	535 x 535
K120531	600 x 600	635 x 635



Softline Metal Access Panel With Cylinder Lock

NEW

Made from galvanised sheet steel, painted in RAL9016 white. Can be repainted if required.

Four riveted, swivel anchors ensure safe wall or ceiling mounting.

Continuous one-piece frame with softened profile.

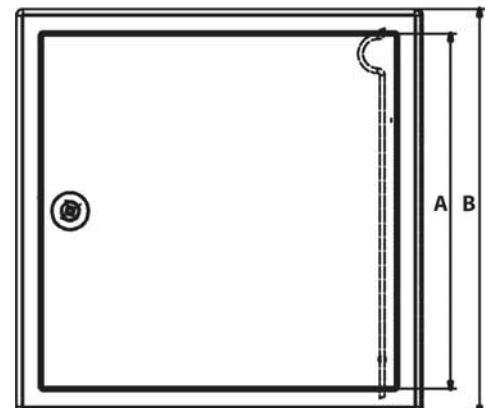
Demountable door panel.

Key lockable.

Sheet steel thickness:
Panel 400x400mm and smaller=0.75mm
Panel larger than 400x400mm=1.0mm



Product Code	Cut-Out Size mm (A)	Outer Frame Size mm (B)
K120562	200 x 200	235 x 235
K120567	300 x 300	335 x 335
K120568	400 x 400	435 x 435
K120570	500 x 500	535 x 535
K120571	600 x 600	635 x 635



Kimberley Access Panel System

**AUSTRALIAN
MADE**

Snap in, tamper resistant door, clips on four sides.

Reversible frame allows flush mounting of materials such as tiles.

Frame's one piece moulding, means there are no mitred joints to prepare.

Hi-Impact UV stabilised plastic construction. Can be painted if desired.

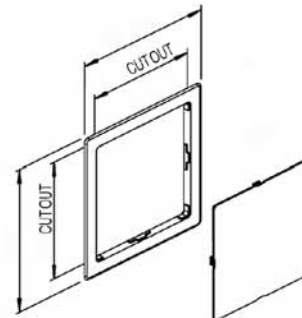
Available in box or single pack.

Applications:

For use to access spa pumps, or access to plumbing.



Product Code	Cut-Out Size mm	Outer Frame Size mm
KAP01	245 x 245	290 x 290
KAP02	155 x 155	200 x 200
KAP03	300 x 300	345 x 345



Kimberley Heavy Duty Manhole Frames

**AUSTRALIAN
MADE**

Fits all standard 450 - 600 mm ceiling joist centres.

Great time saver - installation takes minutes.

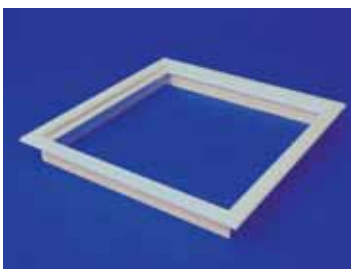
Attractive appearance.

Hi-Impact plastic construction.

Can be painted if desired.

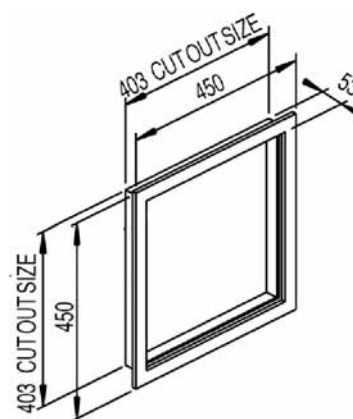
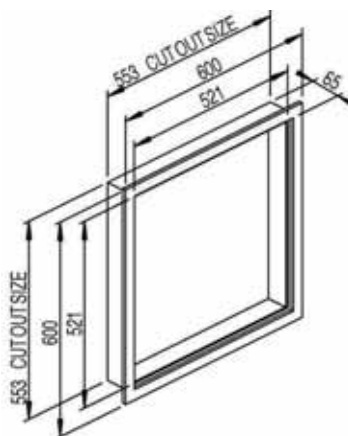
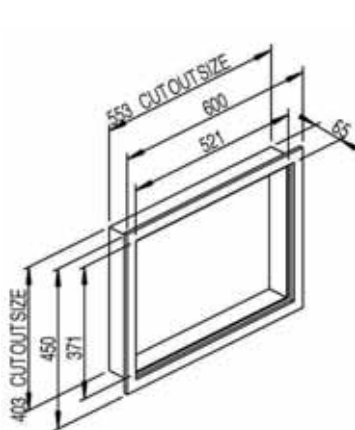
Australian made.

Variety of doors available to fit frame after point of purchase - or see opposite page for more options when purchasing your frames.



Product Code	Cut-Out Size mm	Outer Frame Size mm
KMH01	403 x 553	450 x 600
KMH02	553 x 553	600 x 600
KMH03	403 x 403	450 x 450

Flange (Outer Rim) of all Kimberley Manhole frames is 30mm.



Kimberley Lockable Manhole System

**AUSTRALIAN
MADE**

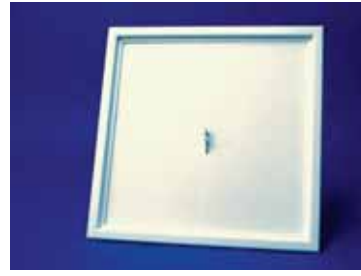
Features all the benefits of a standard Kimberley heavy duty manhole frame with a plastic door.

Ingenious lockable manhole door.

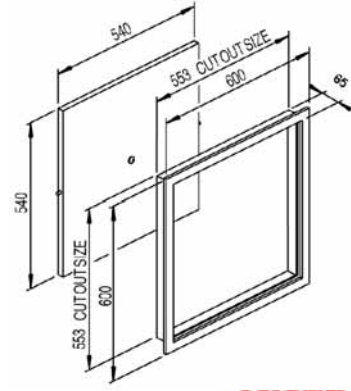
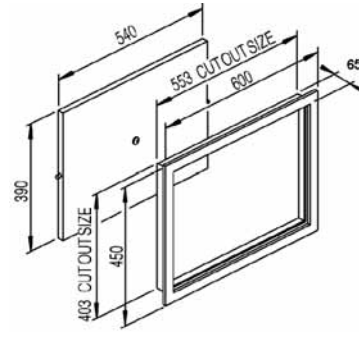
Patented key lock mechanism.

Increased security.

Door can be purchased separately if desired.



Product Code	Cut-Out Size mm	Outer Frame Size mm
KMHD01	403 x 553	450 x 600
KMHD02	553 x 553	600 x 600
SKMHD01-07	Door Only	390 x 540
SKMHD02-02	Door Only	540 x 540



Heavy Duty Manhole Frame with Melamine Panel Door

**AUSTRALIAN
MADE**

Features all the benefits of a standard Kimberley heavy duty manhole frame with a melamine door.

Features 16mm melamine panel.

Smooth finish.

Panel can be painted if desired.

Demountable door panel.

Door can be purchased separately if desired.



Product Code	Cut Out Size mm	Outer Frame Size mm
KMH01P	403 x 553	450 x 600
KMH02P	553 x 553	600 x 600
KMH03P	403 x 403	450 x 450
SKMH01P-1	Panel Only	390 x 540
SKMH02P-1	Panel Only	540 x 540
SKMH03P-1	Panel Only	390 x 390

Hinged Manhole System with Metal Door

**AUSTRALIAN
MADE**

Features all the benefits of a standard Kimberley heavy duty manhole frame with a hinged metal door.

Can be mounted in both ceiling and wall applications.

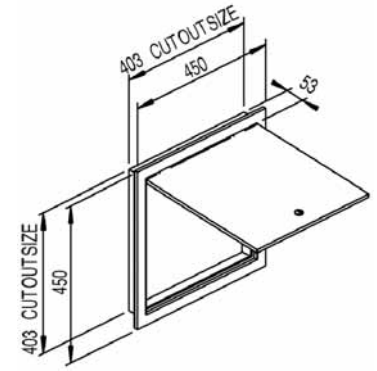
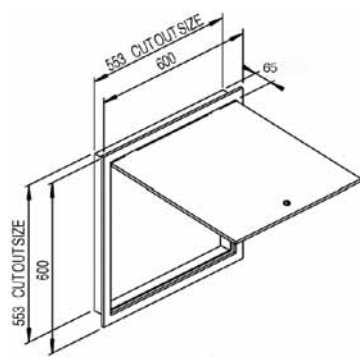
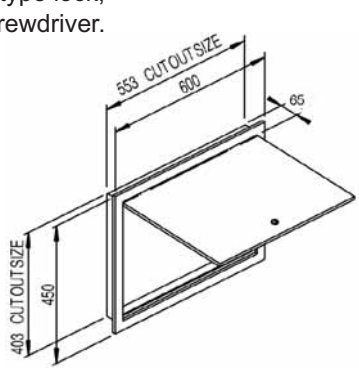
Great for use where headroom is a problem.

Standard commercial slot type lock, operated with standard screwdriver.

Safety Door Strap.



Product Code	Cut-Out Size mm	Outer Frame Size mm
KMHM01	403 x 553	450 x 600
KMHM02	553 x 553	600 x 600
KMHM03	403 x 403	450 x 450



Versatile Access Frames

**AUSTRALIAN
MADE**

Designed for it's simplicity and ease of use.

Patented mitred locking system includes tapered joining piece - no gluing required.

Supplied in knock down form for ease of handling, available in any combination.

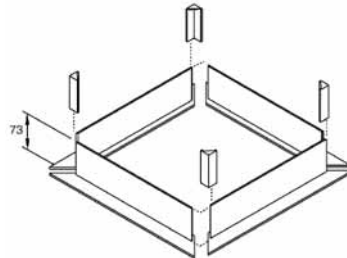
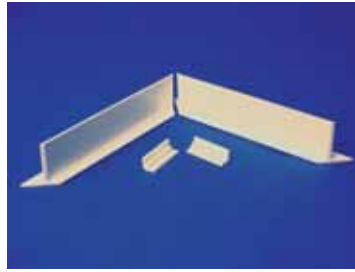
Hi-Impact plastic construction. Can be painted if desired.

Total of 21 Frame sizes can be accommodated.

Applications:

For use with skylight openings, access to plumbing or electrical fittings.

1 Pack = 2 Sides of a Frame.



Product Code	Joist Centres Size mm	Hole Cut Out Size mm
KVF01	350	325 x 325
KVF07	450	403 x 403
KVF12	600	553 x 553
KVF16	750	703 x 703
KVF19	900	853 x 853
KVF21	1050	1003 x 1003

Flush Mounted Manhole System

**AUSTRALIAN
MADE**

Total flush mount appearance.

MDF Door ready to paint.

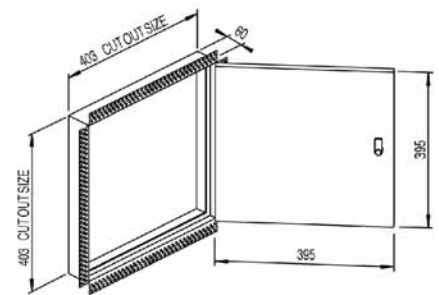
Attractive presentation including concealed hinges.

Standard commercial slot type lock.

Hinged door with safety strap.

Can be mounted horizontally or vertically.

Key lock can be fitted for special orders.



Product Code	Cut-Out Size mm	Outer Frame Size mm
KMHF03	403 x 403	450 x 450

Alustar Flush Access Panel with Gypsum Board Door

NEW

For gypsum board wall and ceiling installation.

Frame and door made from sturdy aluminium profiles.

The door is secured and hinged by 2 galvanised brackets.

Locked on the opposite side by means of 2 spring loaded latches.

Opens by applying pressure to the door front on the spring loaded latch side.

Closes when the door is shut firmly and the spring loaded latches lock into place and retain the door.

The door is completely detachable.



Product Code	Cut-Out Size mm (A)	Outer Frame Size mm (B)
K120370	200 x 200	245 x 245
K120372	300 x 300	345 x 345
K120374	400 x 400	445 x 445
K120376	400 x 600	445 x 645
K120378	500 x 500	545 x 545
K120380	600 x 600	645 x 645

Kimberley Access Stairs

Easily adjustable spring tension

Power arm hinge features one piece construction, no welded joints.

Extra corner bracing keeps stairway frame square.

Fits standard 600mm ceiling joist centres.

Complete installation kit with simple to understand instructions.

Exclusive EZ-Hang Strap system make them easy to install.

Available with standard plyboard door with rivets showing or smooth finish MDF door ready to paint.

Pole with hook & eye bolt available as an extra - Code: KASH01

Architrave kit primed and ready to paint available as an extra - Code: KASA01

Timber Models:

Wire Rod under steps for extra strength.

Rated for 115kg.

Aluminium Models:

Steps riveted to rail with solid aluminium rivets for a secure fit.

Rails made of heavy duty aluminium extrusions for added strength.

Serrated aluminium steps resist slipping.

Rated for 150kg.



		Door	Ceiling Height (mm)	Approx Cut Out Size (mm)	Landing Space (mm)	Projection (mm)	Step (mm)	Side Rail (mm)	Door Panel (mm)
Timber	KASW01	Plyboard	2130 - 2665	570 x 1370	1700	1800	84x316x19	87x19	525 x 1327
	KASW01DS	MDF							
	KASW02	Plyboard	2665 - 3048	570 x 1370	1850	2000	84x316x19	87x19	525 x 1327
	KASW02DS	MDF							
Aluminium	KASW03	Plyboard	2130 - 2665	570 x 1370	1700	1800	82x316x19	83x19	525 x 1327
	KASW03DS	MDF							
	KASW04	Plyboard	2665 - 3048	570 x 1370	1850	2000	82x316x19	83x19	525 x 1327
	KASW04DS	MDF							

KIMBERLEY PRODUCTS PTY LTD

5 Abbots Road, Dandenong South,
Victoria, Australia 3175.

Ph: 03 9768 5777 Fax: 03 9768 5788

Email: kimprod@kimprod.com.au

www.kimprod.com.au

