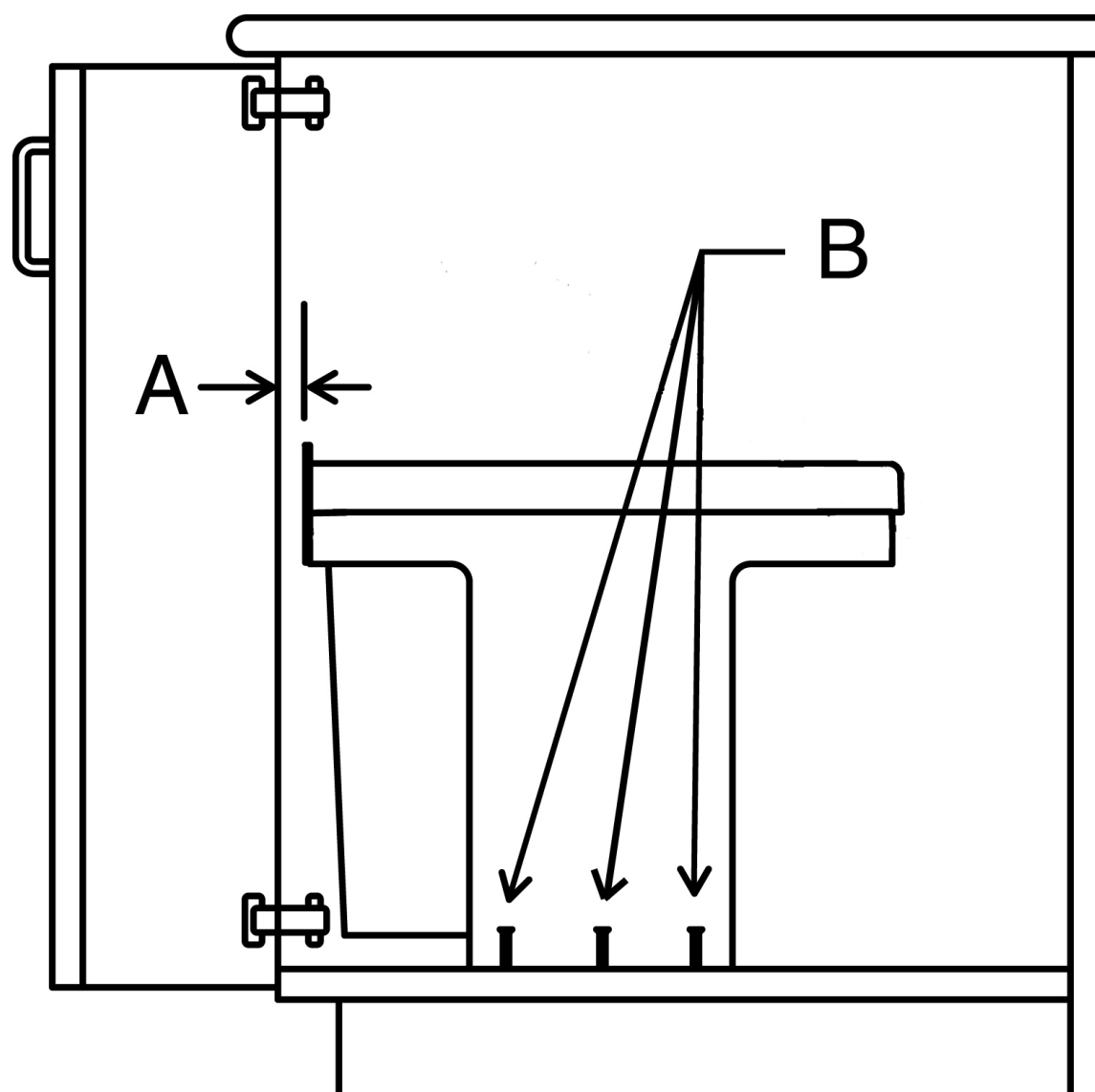


## KRB16 SLIM SLIDE OUT BIN—PLASTIC FRAME INSTALLATION GUIDE



- (A) Allow approximately 5mm gap between door and slider front
- (B) Use 6 wood screws through mounting holes in frame  
Note—it is important that the 6 screws are in place as this adds to the rigidity of the frame.

*If required, we suggest that you use “Medium Kitchen Tidy Bags” with your purchase.*