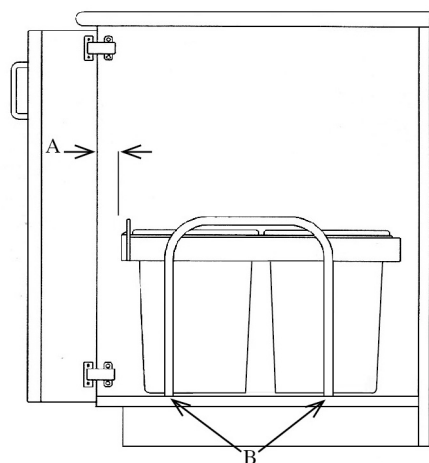
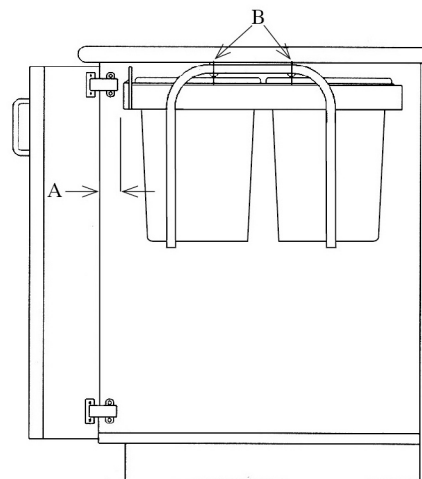


KRB06 TWIN BIN INSTALLATION GUIDE

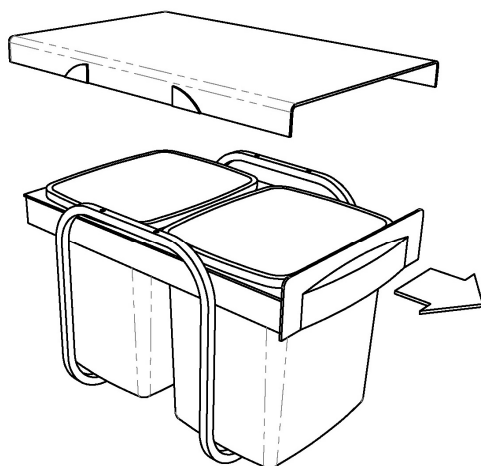
BOTTOM MOUNTED



TOP MOUNTED



REMOVAL OF COVER FOR CLEANING



(A) Suggest 5mm gap between door and slider front

(B) Use 4 wood screws through mounting holes in frame

(C) To remove top, depress on one side at a time and lift.

If required we suggest that you use "Medium Kitchen Tidy Bags" with your purchase. To insert bags correctly, lift bins and tuck excess bag down around the sides and drop bins back into base.

How to Care for your New Kimberley Waste Bin.

- 1. Please make sure you thoroughly read and understand the installations and follow them carefully.**
- 2. For best results and longevity, Always use a bin liner inside your waste bin.**
- 3. Always make sure the liner is installed without obstructing any of the waste bins moving parts.**
- 4. Do not overload your waste bin.**
- 5. Do not push the rubbish down to try to compact your waste.**
- 6. Do not place heavy items on top of the bin lid**
(There is a Wire Basket (KWB01) available to suit KRB06, KRB06D, KRB08, KRB14, KRB14D, KRB15 & KRB15D).
- 7. Never try to close your waste bin with your feet.**
- 8. Never force the waste bin closed.**
- 9. Use a soft cloth and warm mild soapy water to regularly clean the interior and exterior of the waste bin. (Do not use harsh detergents).**
- 10. When washing the waste bin, use a soft cloth to dry the waste bin.**
- 11. Be careful to thoroughly dry any areas of metal to avoid rust and damage.**
- 12. Do not use the bin outside or expose to the weather.**
- 13. Do not place waste bin near a heater or hot device.**