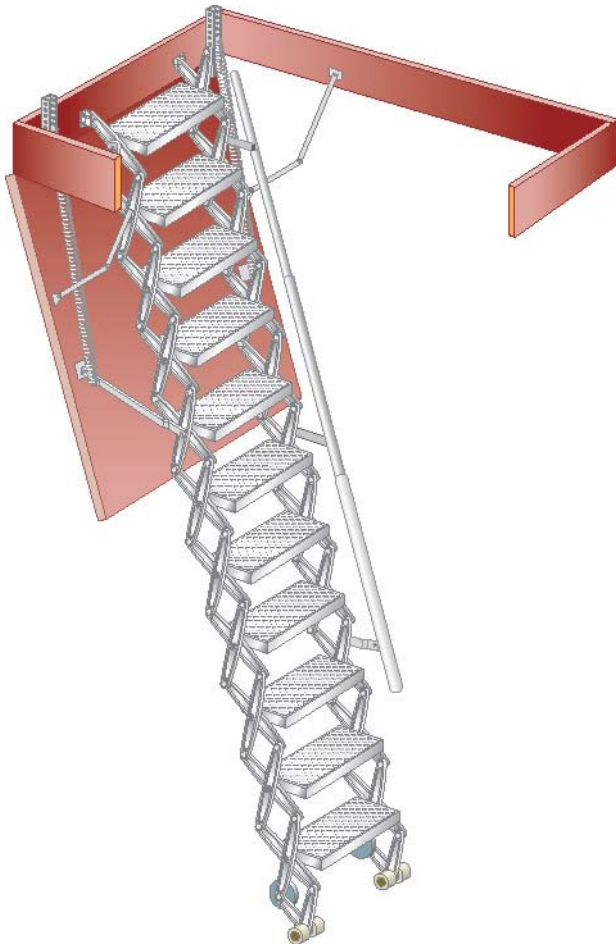


KIMBERLEY™

Established over 50 years

Industrial Articulated Attic Ladders



www.kimprod.com.au

Kimberley Products Industrial Grade Articulated Attic Ladders are safety tested. As this model is an imported model, the approval is based on European Labour Safety Regulations such as 2000/45/EC and European standards. The construction strength is tested according to EN-ISO 14122-3. Aboma Keboma Reports VD 673, 676 and 675 dated 16 October 2006.

Models

KASW50: Structural opening size (W x L x H): 700 x 900 x 320 mm, step width 360 mm.

KASW51: Structural opening size (W x L x H): 700 x 1200 x 250 mm, step width 360 mm.

KASW52: Structural opening size (W x L x H): 1000 x 1300 x 250 mm, step width 480 mm.

KASW53: Structural opening size (W x L x H): 700 x 1200 x 450 mm, step width 360 mm.

Important

The cover of fire rated Attic Ladders has to protrude seventy (70) millimetres below the ceiling. Fill any gaps with mineral wool or apply appropriate self adhesive intumescent tape. In case the casing is mounted into the roof clearance it has to be installed with the cover edge against the bottom of the roof deck.

It may be necessary to locally heighten the mounting level for the roof hatch.

Maintenance

To ensure a long and trouble free service period it is fundamental that ladder is kept clean. Dirt will cause loss of function.

Once a year:

- Check fixation of screws and bolts, make necessary corrections
- Clean and apply a small amount of Teflon spray. Spray on on gliding and moving parts.

Please consult your supplier in case of failure or damage.

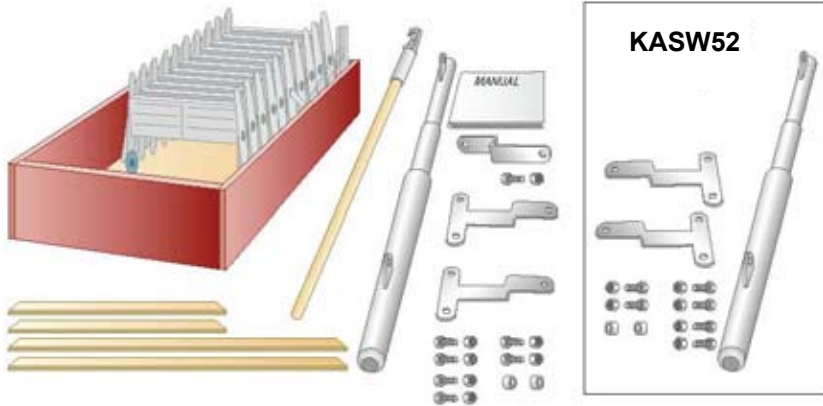
Safety Information

Articulating Attic Ladders are supplied for a standard room height of 3 meters.

If the room height differs +/- 10mm, please adjust the telescopic handrail and level the steps.

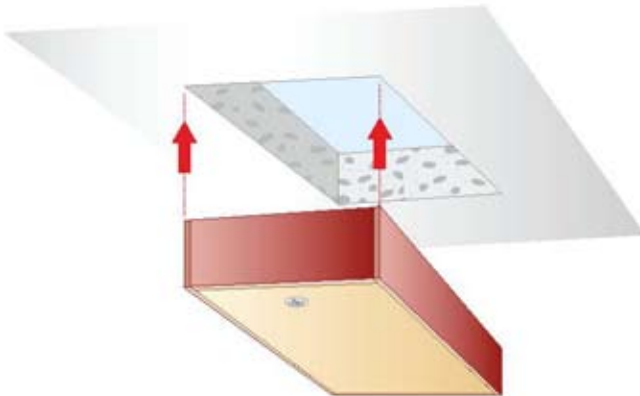
To shorten on site remove one or two articulating steps and reinstall the bottom step. With the exception of the KASW50 is extension possible as an option.

1.



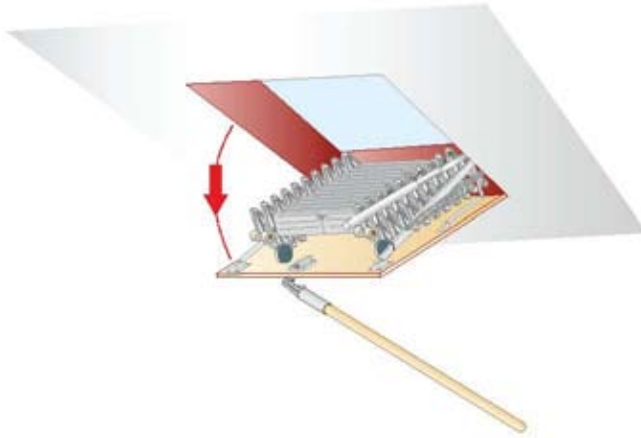
Remove Packaging and check contents

2.



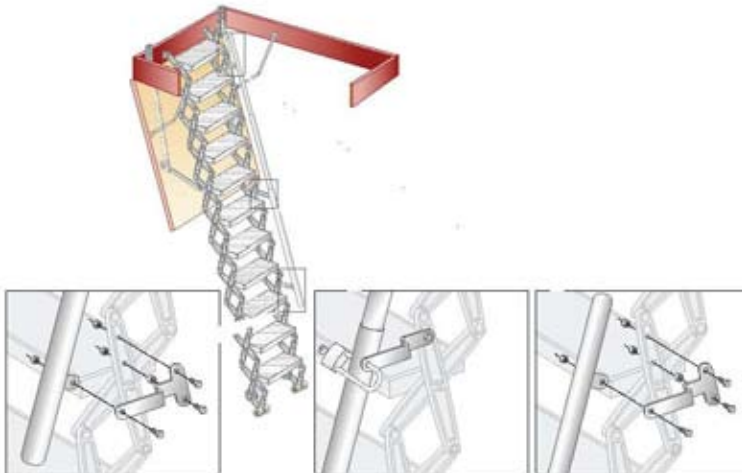
- Place the stairs from the bottom side with closed casing into the opening and support it temporarily.
- Suspended ceiling: Place into the lining between ceiling and roof construction so that the door hatch is flush with ceiling
- In case the casing is installed into the roof clearing ensure that the roof cover mechanism is not obstructed and operates properly.
- Adjust frame to be level, square and tensionless.

3.



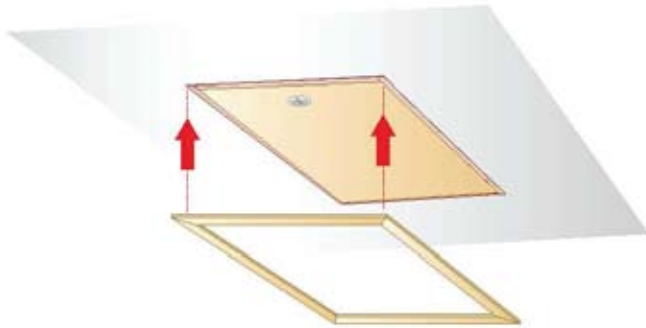
- Ensure cover operates properly.
- Attach the casing to the lining or roof construction with appropriate fasteners.

4.



- Check with extracted steps if they are level and adjust if necessary.
- Attach the telescopic handrail with the internal tube up and the external tube down.

5.



- Attach the included architrave with closed cover starting at the hinge side. Leave a 3 mm clearance on all other sides.

Warranty Statement

1. Kimberley Products warrants its range of Attic ladders are free from defects in material and workmanship under storage use for a period of one year.
2. Kimberley Products accepts no liability for defects caused by the customer installation of the goods or where the goods have been modified repaired or has been subject to abuse in any way.
3. In the event of a fault arising the faulty product must be returned to Kimberley Products with Proof of Purchase and product will be repaired or replaced at the option of Kimberley Products.
4. Kimberley Products does not cover any freight, installation or any indirect or consequential loss incurred due to faults or defects.

Kimberley Products Pty Ltd

5 Abbots Rd,
Dandenong South, Victoria, 3175.

Ph: 03 9768 5777
Fax: 03 9768 5788

Email: kimprod@kimprod.com.au
Website: www.kimprod.com.au